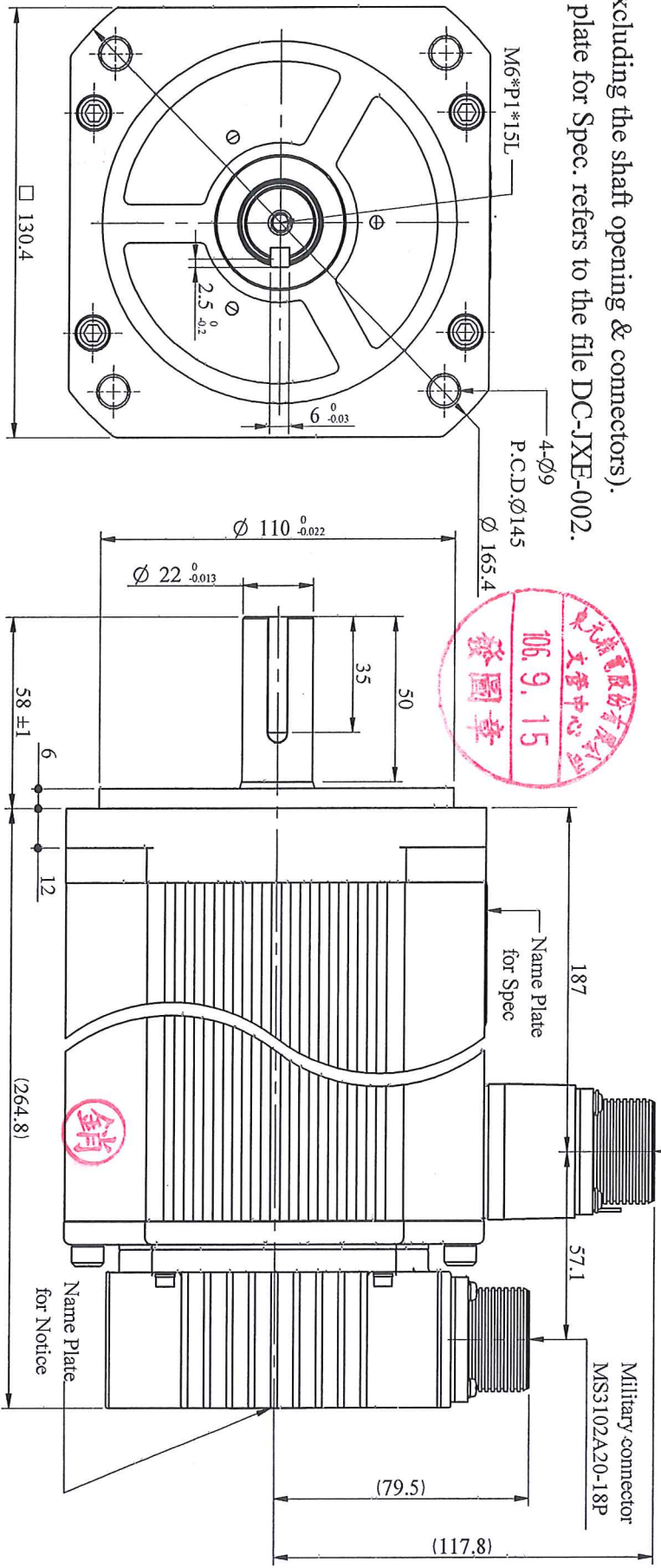


Model: JSMA-PMB30A3K

No.	Item	Symbol	Unit	Specification	No.	Item	Symbol	Unit	Specification
1	Drive	-	-	3 ϕ 220 VAC	13	Roter Inertia	J-M	kg-cm ²	17.92 \pm 10%
2	Cooling Method	-	-	Totally Enclosed	14	Rated Power Rate	Q-R	Kw/s	114.4
3	Exciting Method	-	-	Permanent Magnet	15	Resistance	Ra	Ω	0.333 \pm 10%/2 ϕ
4	Resolution	-	-	23 bit INC	16	Inductance	L	mH	2.124 \pm 10%/2 ϕ
5	Rated Output	P-R	KW	3	17	Mech. Time Constant	Tm	ms	0.70 \pm 10%
6	Rated Torque	T-R	N-m	14.32	18	Elect. Time Constant	Te	ms	6.38 \pm 10%
7	Max. Torque	T-max	N-m	42.96	19	Insulation Class	-	-	Class B
8	Rated Speed	N-R	rpm	2000	20	Operation Temp.	T	$^{\circ}$ C	0-40
9	Rated Current	I-R	A	13.7	21	Operation Humd.	RH	%	<90
10	Max. Current	I-max	A	41.1	22	Storage Temp.	T	$^{\circ}$ C	-20-60
11	Torque Constant	Kt	N-m/A	1.13 \pm 10%	23	Storage Humd.	RH	%	<90
12	Ke constant	Ke	V/krpm	68.28 \pm 10%/2 ϕ	24	Weight	W	kgw	13.87

NOTE:

1. Motor to be IP67(excluding the shaft opening & connectors).
2. The detail of Name plate for Spec. refers to the file DC-JXE-002.



NO	Signal	Color
B	+5V	White
I	0V	Black
A	-	-
C	-	-
H	SD+	Blue
D	SD-	Purple
G	-	-
E	-	-
F	FG	SHIELD

NO	Signal	Color
A	U	Red
B	V	White
C	W	Black
D	FG	Green

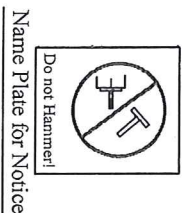
encoder wiring

Military connector
MS3102A20-4P

motor wiring

STANDARD TOLERANCE

X	\pm 0.5
.X	\pm 0.2
.XX	\pm 0.05
ANGLE	\pm 30'



REV	DESCRIPTION	SIGNATURE	DATE	APVD	SCALE	UNIT	NAME	TITLE	Dept. Design	DWG. NO.
1				Sam	1/2	m m	Michelle	3RD A.P	Dept. Design	D01B13302B3NZAD01
2										
3										
4										
5										
6										

Servo Motor Outline Drawing

JSMA-PMB30A3K

APTECH ELECTRO DEVICES CO., LTD.